

LINEAR ACTUATORS

LINEAR ACTUATORS

JC35B

FEATURES

- Quiet and powerful design
- Idea for homecare and medical market
- IP54

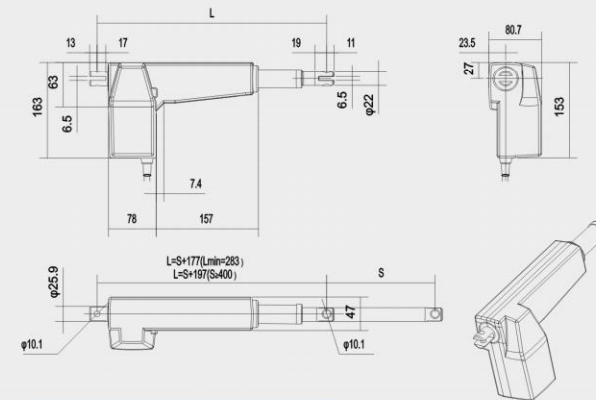


SPECIFICATIONS

Load Capacity push (N)	6000	4000	2000	1000
Load Capacity pull (N)	4000	4000	2000	1000
Static Load push* (N)	6000	4000	2000	1000
Static Load pull* (N)	4000	4000	2000	1000
Speed at Full Load (mm/s)	2.7	4	7.5	18
Input (VDC)	24			
Stroke Length (mm)	100~400(option>400)			
Mounting position	H or V type(see page 95)			
Color	Black or grey			
Limit Switch	Built-in			
Overload Protection	Integrated in appropriate Control-Box			
Duty Cycle	10%,max 2min.continuous use			
Inner Cycle	Stainless steel tube			
End clevis	Steel			
IP Grade	IP54			
Operating Temperature	+5°C~+40°C			
Standard	UL60601-1/EN60601-1			
Optional features	Reed switch option(type JC35BR)			
	Only push option(type JC35BP)			
	Quick release option(type JC35BQH)			

*The static load applies when appropriate Control-Box is used,which shortcuts the motor during stop.

DIMENSIONS



PERFORMANCE



ORDER KEY EXAMPLE

JC35B4-0-6-3-24-200/377-H-B-D-D-0-00-2D0

- Cable length(2D0:2m)
- Plug and cable(00:jack plug,straight cable)
- Brake(0:no brake)
- Top clevis(D:6.5mm slot,10.1mm diameter hole)
- End clevis(D:6.5mm slot,10.1mm diameter hole)
- Color(G:grey,B:back)
- Mounting position(H or V type)
- Stroke/Retracted length(mm)
- Input voltage(VDC)
- Speed as full load(mm/s)
- Load capacity(kN)
- Optional feature *
- Type(JC35B4)

- ★ Standard
- 0 Standard
- R Reed switch
- P Only push no pull
- QH Quick release

LINEAR ACTUATORS

LINEAR ACTUATORS

JC35D

FEATURES

- basic and economic design
- up to 6000N load capacity
- direct mounting on Control Box possibility

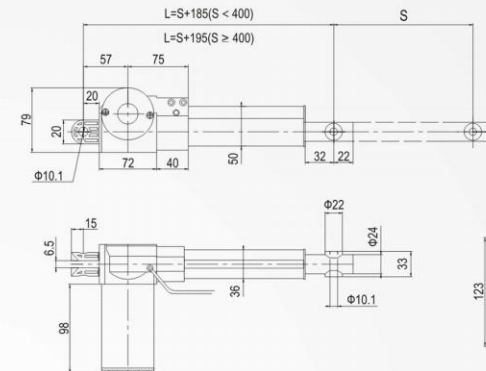


SPECIFICATIONS

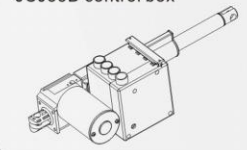
Dynamic Load Push (N)	6000	4000	3000	2000	750
Dynamic Load Pull (N)	4000	4000	3000	2000	750
Static Load push * (N)	6000	4000	3000	2000	750
Static Load pull * (N)	4000	4000	3000	2000	750
Input (VDC)	24				
Speed at Full Load (mm/s)	3	4	8	12	22
Input (VDC)	12				
Speed at Full Load (mm/s)	2.6	3.5	5	9	18
Stroke Length	100~400mm (option >400mm)				
Mounting position	H type, V type and 45 degree type (see page 57)				
Colour	Black or Grey				
Limit Switch	Build-in				
Overload Protection	integrated in appropriate Control-Box				
Duty Cycle	10%, max 2min. continuous use				
Inner Tube	Aluminum Tube				
End clevis	Zinc-alloy				
IP Grade	IP43				
Operating Temperature	+5°C ~ +40°C				
Standard	CE / UL				
Optional Features	Hall sensor option (type JC35DY)				
	Reed switch option (type JC35DR)				
	Only push option (type JC35DP)				
	Relay free option (see page 07)				

* The values apply when appropriate Control Box is used, which short-circuits the motor during stop.

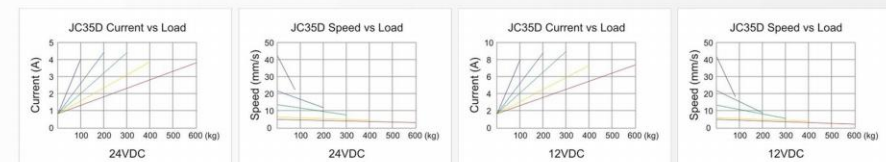
DIMENSIONS



JC35D mounted with JCJ35D control box



PERFORMANCE



ORDER KEY EXAMPLE

JC35D - 6 - 3 - 24 - 100 - 285 - 4s - H - G - X

- Only if special option ★
- Colour (G: grey, B: black)
- Mounting position (see page 57)
- Plug (see page 56)
- Retracted length (mm) - see dimension L
- Stroke length (mm)
- Input voltage (VDC)
- Speed at full load (mm/s)
- Dynamic load capacity (kN)
- Type (JC35D, JC35DP, JC35DY)

★
 B1 brake for push
 B2 brake for pull
 RF relay free version (see page 07)

LINEAR ACTUATORS

LINEAR ACTUATORS

JC35DF

FEATURES

- Strong and robust design
- Low noise, IP66
- Ideal for medical, furniture and industry applications

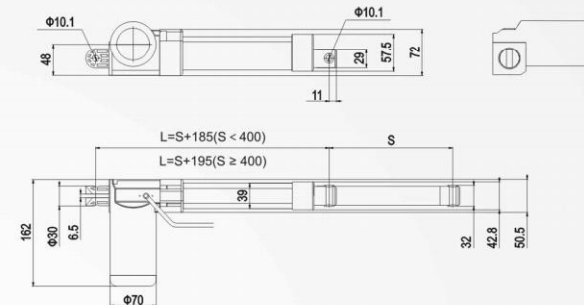


SPECIFICATIONS

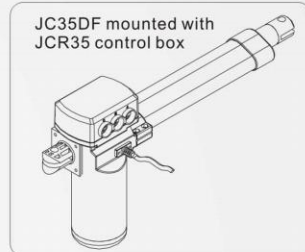
Dynamic Load Push (N)	(N)	6000	4000	3000	2000	750
Dynamic Load Pull (N)	(N)	4000	4000	3000	2000	750
Static Load Push * (N)	(N)	6000	4000	3000	2000	750
Static Load Pull * (N)	(N)	4000	4000	3000	2000	750
Input (VDC)	(VDC)	24				
Speed at Full Load (mm/s)	(mm/s)	3.5	4.5	8	12	22
Input (VDC)	(VDC)	12				
Speed at Full Load (mm/s)	(mm/s)	3	4	5	9	18
Stroke Length (mm)	(mm)	100-400 (option >400)				
Mounting Position		H type, V type and 45 degree type (see page 57)				
Colour		Black or Grey				
Limit Switch		Build-in				
Overload Protection		Integrated in appropriate Control-Box				
Duty Cycle		10%, max 2min. continuous use				
Inner Tube		Aluminum Tube				
End clevis		Zinc-alloy				
IP Grade		IP66				
Operating Temperature		+5°C ~ +40°C				
Standard		UL60601-1 / EN60601-1				
Optional Features		Hall sensor option (type JC35DFY)				
		Reed switch option (type JC35DFR)				
		Push-Only option (type JC35DFP)				
		Relay free option (see page 07)				

* The values apply when appropriate Control Box is used, which short-circuits the motor during stop.

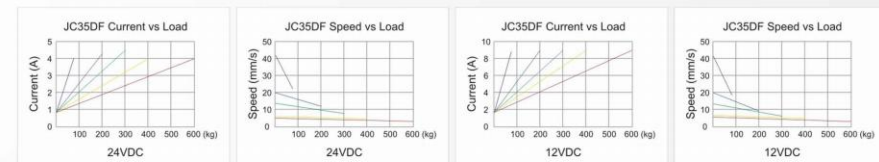
DIMENSIONS



JC35DF mounted with JCR35 control box



PERFORMANCE



ORDER KEY EXAMPLE

JC35DF - 6 - 3 - 24 - 100 - 285 - 4s - H - G - X

- ▶ Only if special option ★
- ▶ Colour (G: grey, B: black)
- ▶ Mounting position (see page 57)
- ▶ Plug (see page 56)
- ▶ Retracted length (mm) - see dimension L
- ▶ Stroke length (mm)
- ▶ Input voltage (VDC)
- ▶ Speed at full load (mm/s)
- ▶ Dynamic load capacity (kN)
- ▶ Type (JC35DF, JC35DFP, JC35DFY)

★
B1 brake for push
B2 brake for pull
RF relay free version (see page 07)

LINEAR ACTUATORS

LINEAR ACTUATORS

JC35G

FEATURES

- Low noise, IP66 and quick release option
- Optimal for medical applications
- Designed to match with control box JCB35G
- Integrated cable plug, cable can be customized

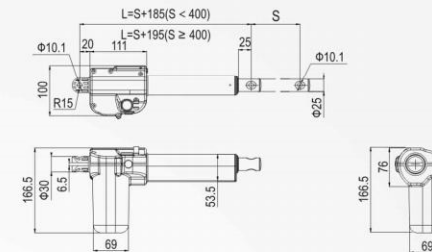


SPECIFICATIONS

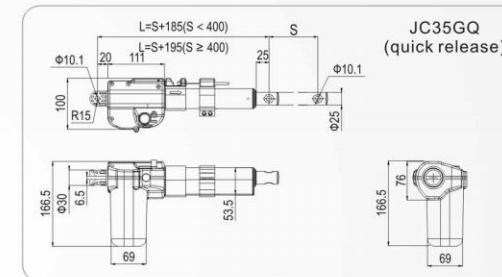
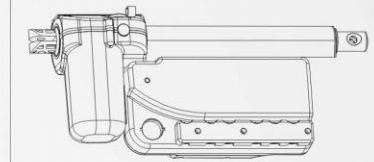
Dynamic Load Push (N)	6000	4000	3000	2000
Dynamic Load Pull (N)	4000	4000	3000	2000
Static Load Push * (N)	6000	4000	3000	2000
Static Load Pull * (N)	4000	4000	3000	2000
Speed at Full Load (mm/s)	3.5	4.5	8	12
Input (VDC)	24			
Stroke Length (mm)	100~400 (option >400)			
Mounting position	H or V type (see page 57)			
Colour	Black or Grey			
Limit Switch	Build-in			
Overload Protection	integrated in appropriate Control-Box			
Duty Cycle	10%, max 2min. continuous use			
Inner Tube	Powder Painted Steel Tube			
End clevis	Zinc-alloy			
IP Grade	IP66			
Operation Temperature	+5°C ~ +40°C			
Standard	UL60601-1 / EN60601-1			
Optional Features	Quick release option (type JC35GQ)			
	Hall-Sensor option (type JC35GY, JC35GQY)			
	Push-Only option (type JC35GP, JC35GPY)			
	Safety Nut option			

* The values apply when appropriate Control Box is used, which short-circuits the motor during stop.

DIMENSIONS



JC35G mounted with JCB35G control box



JC35GQ (quick release)

PERFORMANCE



ORDER KEY EXAMPLE

JC35G - 6 - 3 - 24 - 100 - 285 - 4sd - H - G - X

- ▶ Only if special option ★
- ▶ Colour (G: grey, B: black)
- ▶ Mounting position (see page 57)
- ▶ Plug(4sd)
- ▶ Retracted length (mm) - see dimension L
- ▶ Stroke length (mm)
- ▶ Input voltage (VDC)
- ▶ Speed at full load (mm/s)
- ▶ Dynamic load capacity (kN)
- ▶ Type (JC35G, JC35GP, JC35GY, ...)

- ★ S safety nut
- B1 brake for push
- B2 brake for pull

CONTROL BOXES

CONTROL BOXES

JCB35A JCB35B

FEATURES

- Connection of max 5 actuators and 2 operating elements
- IP54, UL approval, JCB35B has option of backup battery built-in



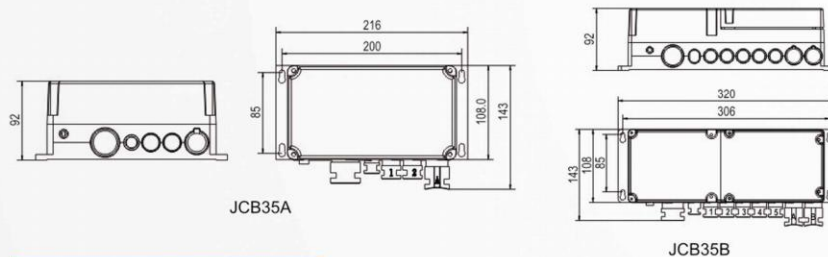
JCB35A

JCB35B

SPECIFICATIONS

	JCB35A	JCB35B		JCB35A	JCB35B
Number of actuator outputs	1-2 outputs	1-5 outputs	Duty cycle	10%, max 2min. continuous use	
Output Voltage (VDC)	24		Overload protection	Combined protection	Combined or Separate protection
Input Voltage (VAC)	110 or 230		Fuse	Inside or outside (option)	
Transformer power (Watts)	86/150/200/360		Cable length	3m	
Actuator plugs	Jack plug		IP Grade	IP54	
Hand/Foot-Control plugs	DIN 8 straight plug		Ambient temperature	+5°C ~ +40°C	
Power plug	Option		Standard	UL60601/CE	
Color	Black or grey				

DIMENSIONS

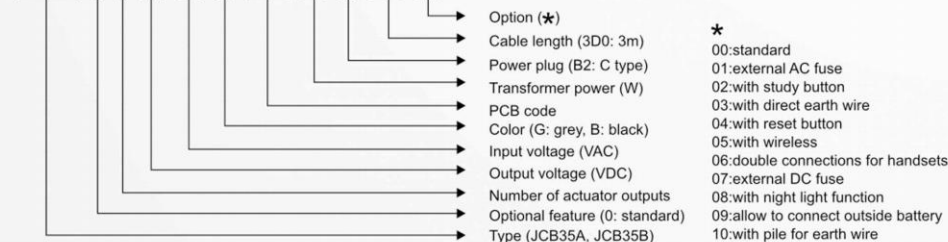


JCB35A

JCB35B

ORDER KEY EXAMPLE

JCB35A - 0 - 1 - 24 - 230 - G - JC2D - 86 - Z3 - 3D0 - 00



JCB35E

FEATURES

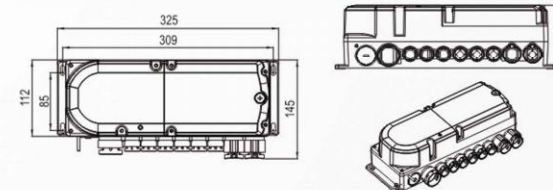
- Connection of max 6 actuators and 2 operating elements
- Built-in backup battery function option and IPX4
- Medically approved according to EN60601-1 / UL60601-1



SPECIFICATIONS

Number of actuator outputs	1-6 outputs	Fuse	Can be changed from outer side
Output Voltage (VDC)	24/29	Cable length	3m
Input Voltage (VAC)	110 or 230	IP Grade	IP54
Transformer power (Watts)	86/150/200/360	Ambient temperature	+5°C ~ +40 °C
Actuator plugs	DIN 4 or DIN 5 straight plug	Standard	EN60601-1 / UL60601-1 / CE
Hand/Foot-Control plugs	DIN 8 / DIN 13 straight plug	Optional Features	Back-up battery, 1.3Ah/24V, charger built-in
Power plug	Option		Customized intelligent function with microchips built-in option
Color	Black or Grey		Battery and customized function together
Duty cycle	10%, max 2min. continuous use		
Overload protection	Combined or Separate protection		

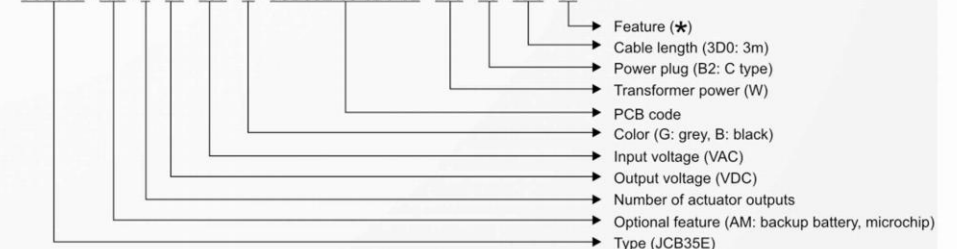
DIMENSIONS



- ★
00:standard
01:external AC fuse
02:with study button
03:with direct earth wire
04:with reset button
05:with wireless
06:double connections for handsets
07:external DC fuse
08:with night light function
09:allow to connect outside battery
10:with pile for earth wire

ORDER KEY EXAMPLE

JCB35E - AM - 4 - 24 - 230 - G - JCB35E-06-6D1-V2 - 200 - Z3 - 3D0 - 01



HAND/FOOT CONTROLS

HAND/FOOT CONTROLS

JCHE35 JCHL35

FEATURES

- With hook design for medical market



JCHE35

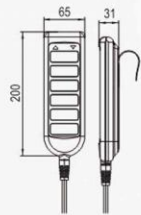


JCHL35

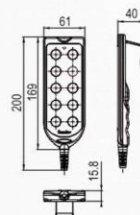
SPECIFICATIONS

	JCHE35	JCHL35
Actuator Quantity	1-6	1-5
Plug and cable	Option	
Color	Black or Grey	
IP Degree	IP54	IP66
Connection	MEDIK control boxes	
Other features	Lock/Unlock function (electronic)	Background light

DIMENSIONS



JCHE35



JCHL35

ORDER KEY EXAMPLE

JCHE35 - 5 - G - 5G16 - L - 4D0 - X

- Special function (X: description)
- Cable length (4D0: extended 4m)
- Plug and cable (L: DIN 8 straight plug, coiled cable)
- Panel code (according to the drawing)
- Color (G: grey, B: black)
- Number of button pairs
- Type (JCHE35, JCHL35)

JCH35A2 JCH35A4

FEATURES

- Plenty of function, individual movement of 6 actuators
- Slideway stylish hook, easy to be replaced.
- Superfine toughness material and without deformation
- Softness handfeel
- Ergonomic design
- Background light optional
- IP66



JCH35A2

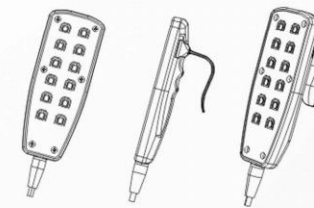


JCH35A4

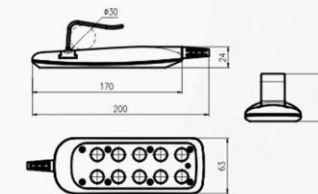
SPECIFICATIONS

	JCH35A2	JCH35A4
Actuator quantity	1~6	1~5
Color	Black or grey	
Plug and cable	Adpot same wire-holder with JCHD and match Plug according to control box	Option
IP Grade	IP66	
Connection	MEDIK control box	
Other Features	Background light	

DIMENSIONS



JCH35A2



JCH35A4

ORDER KEY EXAMPLE

JCH35A4 - A - 5 - B - 5G1 - L - 4D0 - L - 3(1+2)4(3+4)5(3-4)

- Work together
- Special function(X:description)
- Cable length(4D0:extended 4m)
- Plug and cable(L:DIN 8 straight plug,cable plug)
- Panel code(according to the drawing)
- Color(G:grey,B:black)
- Number of actuator pairs
- A:with background;B:without background
- Type(JCH35A4)